

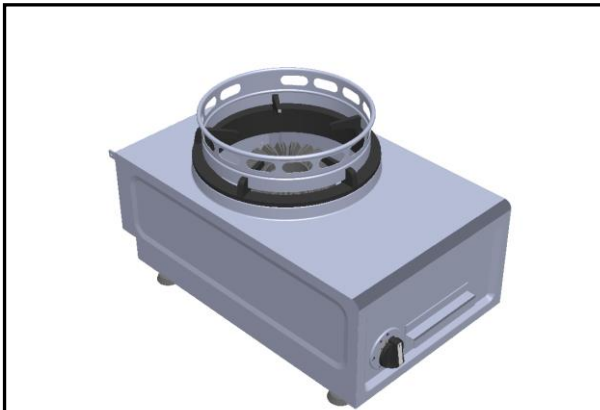


Total Food-Service Solutions

Modular Cooking - Amicus 600

Gas Wok Ring Table

NGWT 3-55 AM



*Due to routine technical improvement, the photograph shown may not represent the latest design of the products.

AVAILABLE MODEL

1. NGWT 3-55 AM

DESCRIPTION

Gas Wok Ring Table consists of one gas burner with 11.5 kW (G30) or 13 kW (G20) power rate.

Unit to be installed as a table top, on open cabinet or similar elements, cantilever, or cooking suite block configuration. Featuring rear seamless fitting to connect with other Amicus family.

ITEM# : _____

MODEL# : _____

NAME : _____

SN : _____

MAIN FEATURE

- 11.5 kW (G30) or 13 kW (G20) cast iron burner.
- Gas system is equipped with flame failure device.
- Integrated up stand of pot holder to avoid water in the cavity.
- Circular cast iron pot holder provided.
- Dirt collecting drawer provided.

CONSTRUCTION

- All exterior panels in 304 type of Stainless Steel
- Orbital top surface anti-scratch finishing.
- Top with 1.2 mm surface.
- Side with 1.2mm pressed surface.
- Front with 0.8 mm pressed surface.
- Adjustable ± 30 mm leg.

INCLUDED ACCESSORIES

- G20 Conversion Kit.

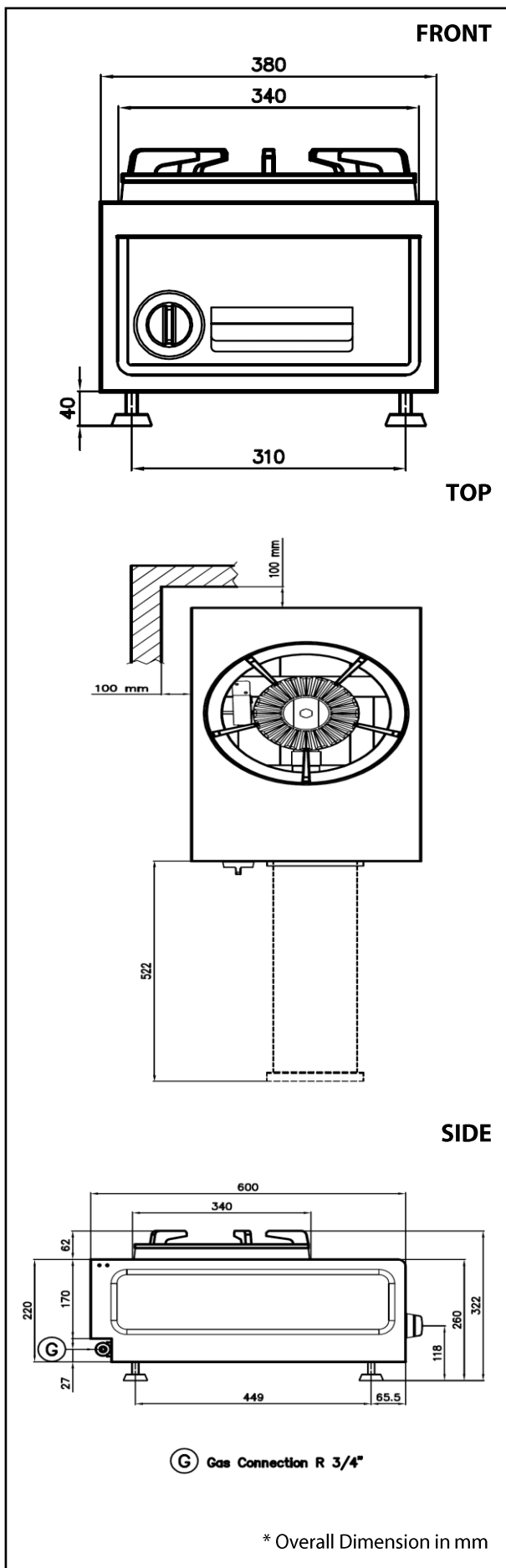
OPTIONAL ACCESSORIES

- Wok holder for 300 mm diameter wok.

The company reserves the right to make modifications to the products without prior notice. All information correct at time of printing.

2017.11.10





GAS

| | | |
|----------------------|---|------------------|
| Gas Power | : | 11.5 kW |
| | | (6,020 kCal/h) |
| | | 13 kW |
| | | (6,450 kCal/h) |
| Gas Type Option | : | G30/G31, G20 |
| Gas Inlet | : | R 3/4" |
| Natural Gas-Pressure | : | G20: 20mbar |
| LPG Gas Pressure | : | G30 : 28-30 mbar |
| | | G31: 37 mbar |

KEY INFORMATION

| | | |
|----------------------|---|----------------------|
| Cooking surface | : | Ø 330 mm |
| Direct heat emission | : | 3.25 kW |
| Latent heat emission | : | 1.3 kW |
| Steam emission | : | 1.9 kg / h |
| Net weight | : | 22.5 kg |
| Shipping height | : | 395 mm |
| Shipping width | : | 450 mm |
| Shipping depth | : | 700 mm |
| Shipping volume | : | 0.087 m ³ |